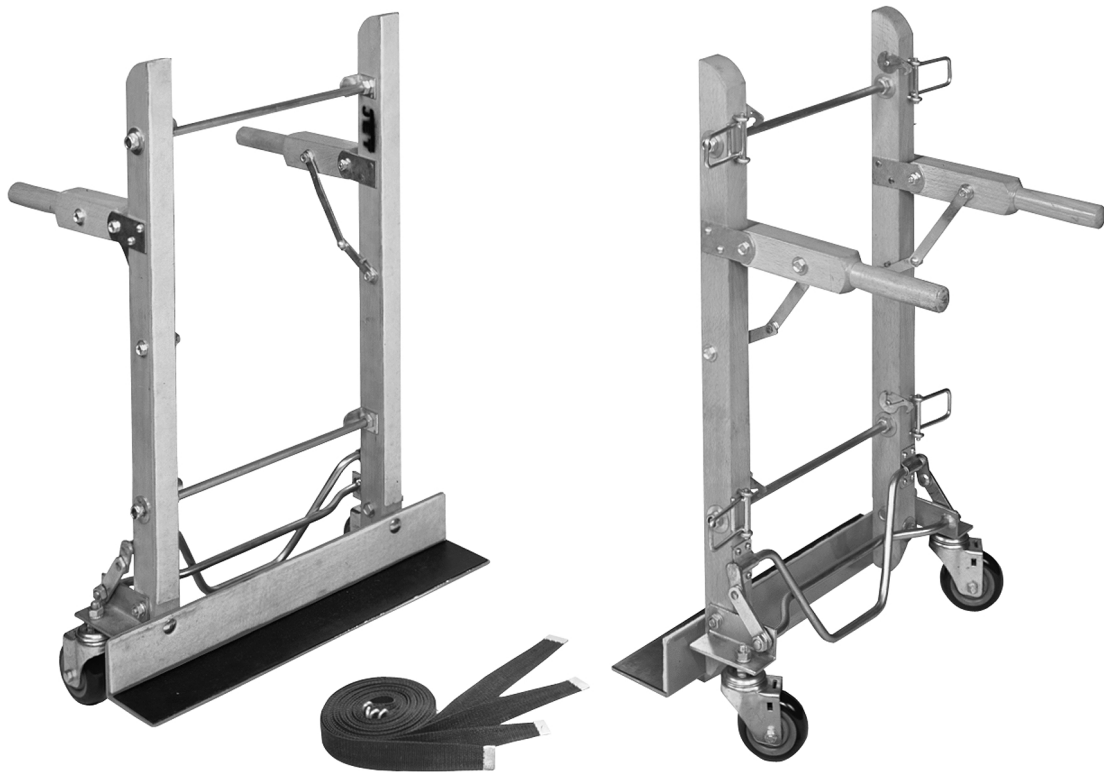


JET[®]

OWNER'S MANUAL JPD-1000 Piano Dolly



WMH TOOL GROUP
Industrial Tool Division
2420 Vantage Drive
Elgin, IL 60123
Ph: 888-804-7129 • Fax: 800-274-6840
E-mail: jet@wmhtoolgroup.com
www.wmhtoolgroup.com

M-140115 7/03 (Rev. A)
Copyright © WMH Tool Group

This manual has been prepared for the owner and operators of a JET Model JPD-1000 Piano Dolly. Its purpose, aside from proper dolly operation, is to promote safety through the use of accepted correct operating and maintenance procedures. Completely read the safety and maintenance instructions before operating or servicing the dolly. To obtain maximum life and efficiency from your dolly, and to aid in using the dolly safely, read this manual thoroughly and follow all instructions carefully.

Warranty & Service

WMH Tool Group warrants every product it sells. If one of our tools needs service or repair, one of our Authorized Repair Stations located throughout the United States can give you quick service.

In most cases, any one of these WMH Tool Group Repair Stations can authorize warranty repair, assist you in obtaining parts, or perform routine maintenance and major repair on your JET, Performax, Powermatic or Wilton tools.

For the name of an Authorized Repair Station in your area, call 1-800-274-6848.

More Information

WMH Tool Group is consistently adding new products to the line. For complete, up-to-date product information, check with your local WMH Tool Group distributor or visit wmhtoolgroup.com.

Limited Warranty

WMH Tool Group (including JET, Performax, Powermatic and Wilton brands) makes every effort to assure that its products meet high quality and durability standards and warrants to the original retail consumer/purchaser of our products that each product be free from defects in materials and workmanship as follows: 1 YEAR LIMITED WARRANTY ON ALL PRODUCTS UNLESS SPECIFIED OTHERWISE. This warranty does not apply to defects due directly or indirectly to misuse, abuse, negligence or accidents, normal wear-and-tear, repair or alterations outside our facilities, or to a lack of maintenance.

WMH TOOL GROUP LIMITS ALL IMPLIED WARRANTIES TO THE PERIOD SPECIFIED ABOVE, FROM THE DATE THE PRODUCT WAS PURCHASED AT RETAIL. EXCEPT AS STATED HEREIN, ANY IMPLIED WARRANTIES OR MERCHANTABILITY AND FITNESS ARE EXCLUDED. SOME STATES DO NOT ALLOW LIMITATIONS ON HOW LONG THE IMPLIED WARRANTY LASTS, SO THE ABOVE LIMITATION MAY NOT APPLY TO YOU. WMH TOOL GROUP SHALL IN NO EVENT BE LIABLE FOR DEATH, INJURIES TO PERSONS OR PROPERTY, OR FOR INCIDENTAL, CONTINGENT, SPECIAL, OR CONSEQUENTIAL DAMAGES ARISING FROM THE USE OF OUR PRODUCTS. SOME STATES DO NOT ALLOW THE EXCLUSION OR LIMITATION OF INCIDENTAL OR CONSEQUENTIAL DAMAGES, SO THE ABOVE LIMITATION OR EXCLUSION MAY NOT APPLY TO YOU.

To take advantage of this warranty, the product or part must be returned for examination, postage prepaid, to an Authorized Repair Station designated by our office. Proof of purchase date and an explanation of the complaint must accompany the merchandise. If our inspection discloses a defect, WMH Tool Group will either repair or replace the product, or refund the purchase price if we cannot readily and quickly provide a repair or replacement, if you are willing to accept a refund. WMH Tool Group will return repaired product or replacement at our expense, but if it is determined there is no defect, or that the defect resulted from causes not within the scope of our warranty, then the user must bear the cost of storing and returning the product. This warranty gives you specific legal rights; you may also have other rights, which vary from state to state.

WMH Tool Group sells through distributors only. WMH Tool Group reserves the right to effect at any time, without prior notice, those alterations to parts, fittings, and accessory equipment which they may deem necessary for any reason whatsoever.

Table of Contents

Page no.

Warranty2
Warnings3
Specifications4
Introduction.....4
Operation5
Maintenance.....5
Parts Breakdown & List.....6-7

 **WARNING**

- Read and understand all warnings and operating instructions before attempting to use the piano dolly.
- Do not exceed 1,000 lb. rated capacity.
- Dolly is designed for use in pairs by two persons only for safe operation.
- Always use on smooth, level, finished floors only.
- Do not use dolly on slope or uneven floors.
- Always keep all other people clear from load and dolly while lifting, lowering or transporting load.
- Always use genuine factory replacement parts only when replacement is necessary.
- Failure to comply with all of these warnings may result in loss of load, damage to dolly, personal injury and/or property damage.

Specifications

JET Piano Dolly

Model Number	JPD-1000
Stock Number	140115
Pair Capacity (lbs).....	1,000
Raised Height (in)	2-3/4
Nose Plate Size (W x D x T/in).....	23-1/8 x 4-1/8 x 1/8
Swivel Casters (OD x W/in).....	3-1/2 x 1-1/4 Polyolefin
Hardwood Size (L x W/in)	1-5/8 x 1-3/4
Web Strap Size (W/in x L/ft)	1-1/4 x 7 Nylon
Overall Dimensions (W x L x H/in)	23 x 18 x 32
Net Weight (lbs).....	52
Shipping Weight (lbs).....	55

The specifications in this manual are given as general information and are not binding. WMH Tool Group reserves the right to effect, at any time and without prior notice, changes or alterations to parts, fittings, and necessary equipment deemed necessary for any reason whatsoever.

Introduction

Congratulations on the purchase of your JET Piano Dolly.

Your Piano Dolly is designed to attach securely to heavy appliances, carpet rolls, furniture, bulky crates, pianos, etc., and move them safely and easily with a minimum amount of effort.

The Piano Dolly comes fully assembled and ready to use. Features include a rugged hardwood frame, zinc plated hardware and powder coated nose plates to resist rust, and rubber and felt cushions to provide scratch protection. The comfortable hardwood handles and easy-to-use foot levers are retractable for storage.

Operation

(numbers in parentheses refer to parts breakdown page 6)

1. Position each dolly evenly and fully under opposite ends of the object to be lifted.
2. There are four nylon straps (27) included to secure the cargo to the dolly. Wrap each nylon strap completely around the load and tighten securely through strap hooks (12). Always use all four nylon straps to secure cargo.
3. With each dolly fastened securely under opposite ends of the object to be lifted, lower lifting lever (11) with one foot or both feet. Use wooden handles (14) for additional leverage if necessary to press lifting lever down.
4. After each dolly has been raised successfully, use wooden handles (14) to steer and/or push and pull dolly to desired location.
5. To lower load, use foot to raise lifting lever (11) carefully on each dolly.
6. Remove nylon straps (27) and remove each dolly from opposite ends of the cargo.
7. Handles and lifting levers are retractable for storage purposes.

Maintenance

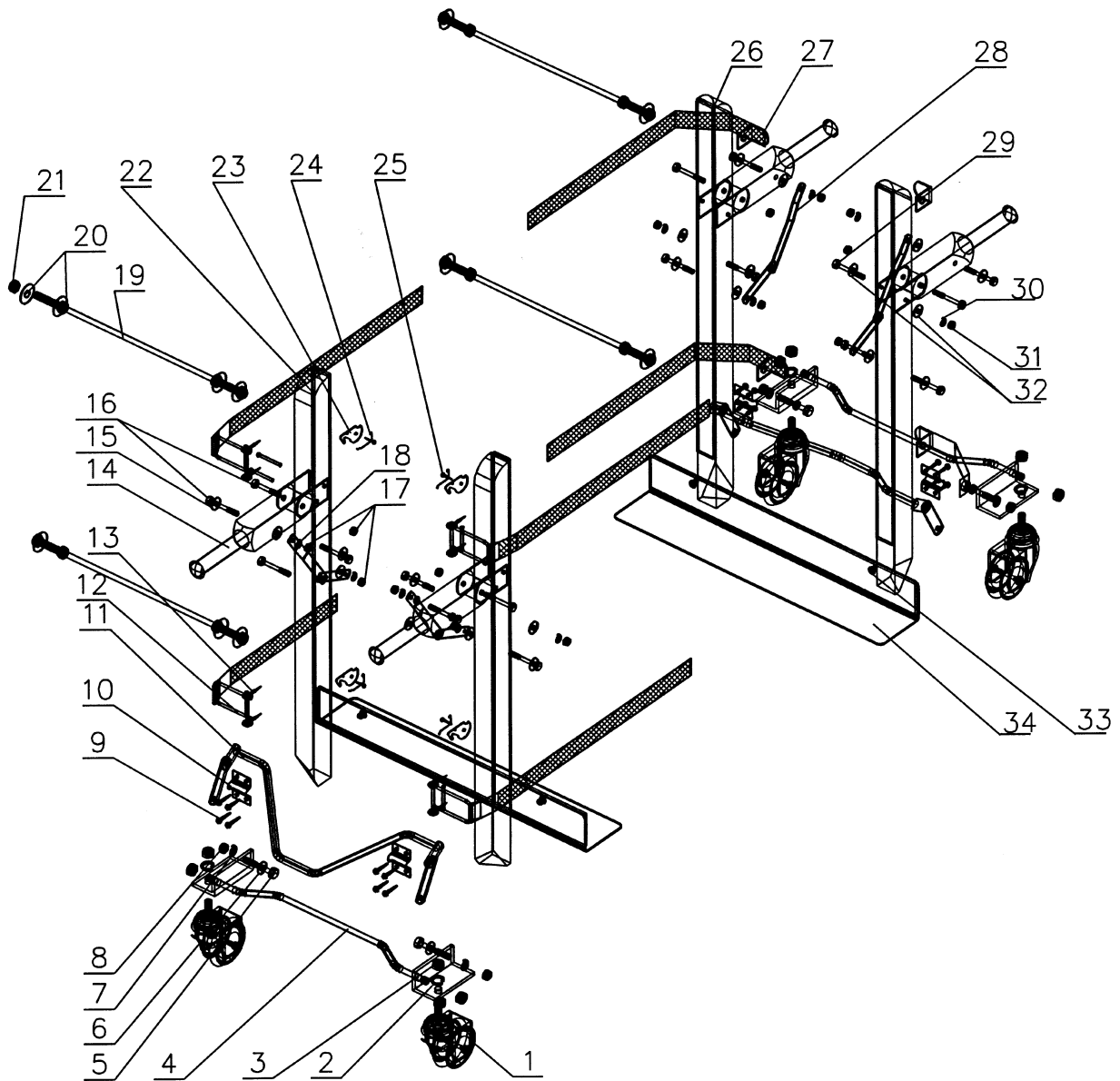
If dolly becomes difficult to use or operate, lubricate retractable handle brackets (28), lifting levers (11) and double race ball bearings used on the swivel caster assemblies (1) with lightweight grease or suitable lubricant.



WARNING

Use extreme caution when transporting cargo to avoid loss of load resulting in damage to dolly, personal injury and/or property damage. Always keep others away from load and dolly while lifting, transporting and lowering load.

Parts Breakdown
JPD-1000 Piano Dolly



Parts List

JPD-1000 Piano Dolly

Index No.	Part No.	Description	Size	Qty.
1	JPD1000-1	Swivel Caster Assembly	3-1/2" D x 1-1/4" W	4
2	TS-1551081	Lock Washer	M12	4
3	TS-1540081	Hex Nut	M12	4
4	JPD1000-4	Caster Bracket Assembly		2
5	JPD1000-5	Hex Cap Screw	M10 x 58	4
6	TS-1550071	Flat Washer	M10	4
7	TS-1551071	Lock Washer	M10	4
8	TS-1540071	Hex Nut	M10	8
9	JPD1000-9	Flat Head Wood Screw	M6 x 30	16
10	JPD1000-10	Lifting Lever Bracket		4
11	JPD1000-11	Lifting Lever		2
12	JPD1000-12	Strap Hook		4
13	JPD1000-13	Eye Screw	M6 x 50	8
14	JPD1000-14	Wooden Handle		4
15	TS-1550061	Flat Washer	M8	16
16	TS-1490101	Hex Cap Screw	M8 x 55	12
17	TS-1541031	Nylon Lock Hex Nut	M8	12
18	TS-1551061	Lock Washer	M8	8
19	JPD1000-19	Connecting Shaft		4
20	TS-2360121	Flat Washer	M12	16
21	TS-2342121	Hex Nylon Lock Nut	M12	8
22	JPD1000-22	Left Column Assy. w/Felt	1-5/8" W x 1-3/4" T	2
23	JPD1000-23	Strap Latch		4
24	JPD1000-24	Spring		4
25	JPD1000-25	Flat Head Wood Screw	M5 x 25	8
26	JPD1000-26	Right Column Assy. w/Felt	1-5/8" W x 1-3/4" T	2
27	JPD1000-27	Nylon Web Strap	1-1/4" W x 7' L	4
28	JPD1000-28	Retractable Handle Bracket		4
29	JPD1000-29	Socket Head Cap Screw	M5 x 48	4
30	TS-1551031	Lock Washer	M5	8
31	TS-1541011	Nylon Lock Hex Nut	M5	4
32	TS-1550031	Flat Washer	M5	4
33	JPD1000-33	Carriage Bolt	M10 x 55	4
34	JPD1000-34	Nose Plate w/Felt & Rubber		2
	JPD1000-ID	I.D. Label (not shown)		1
	JPD1000-WL	Warning Label (not shown)		1



WMH TOOL GROUP

2420 Vantage Drive
Elgin, IL 60123

Ph: 888-804-7129 ▪ Fax: 800-274-6840

E-mail: jet@wmhtoolgroup.com

www.wmhtoolgroup.com